

Data Sheet

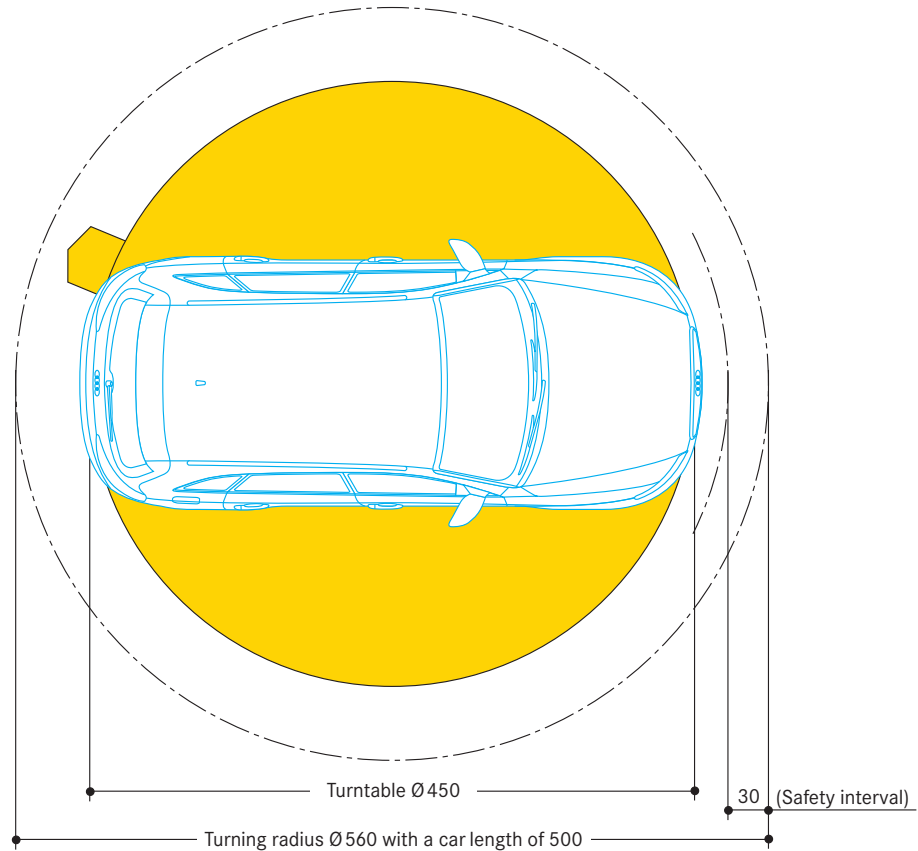
WÖHR TURNTABLE 505



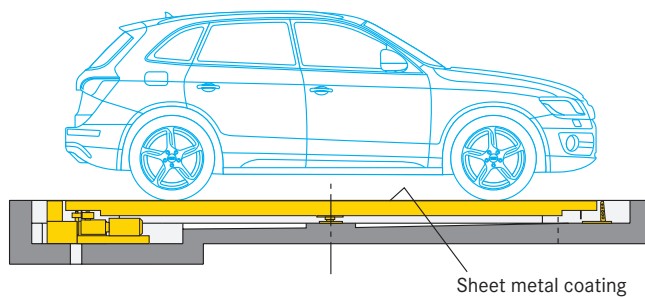
Suitable for condominium and office buildings. Outdoor installation is possible.

Max. permissible vehicle weight 4000 kg (wheel load max. 1000 kg)

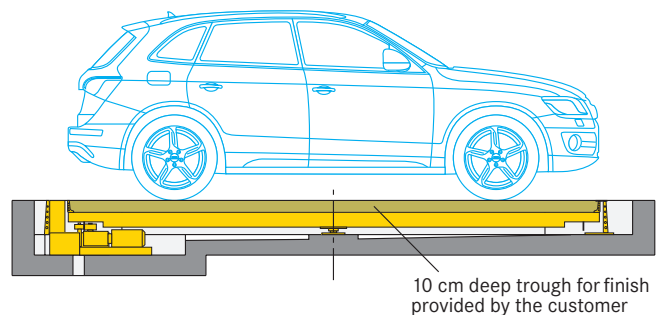
Dimensions in cm



■ Turntable 505 with sheet metal coating



■ Turntable 505 with welded construction for finish provided by the customer



■ Notes

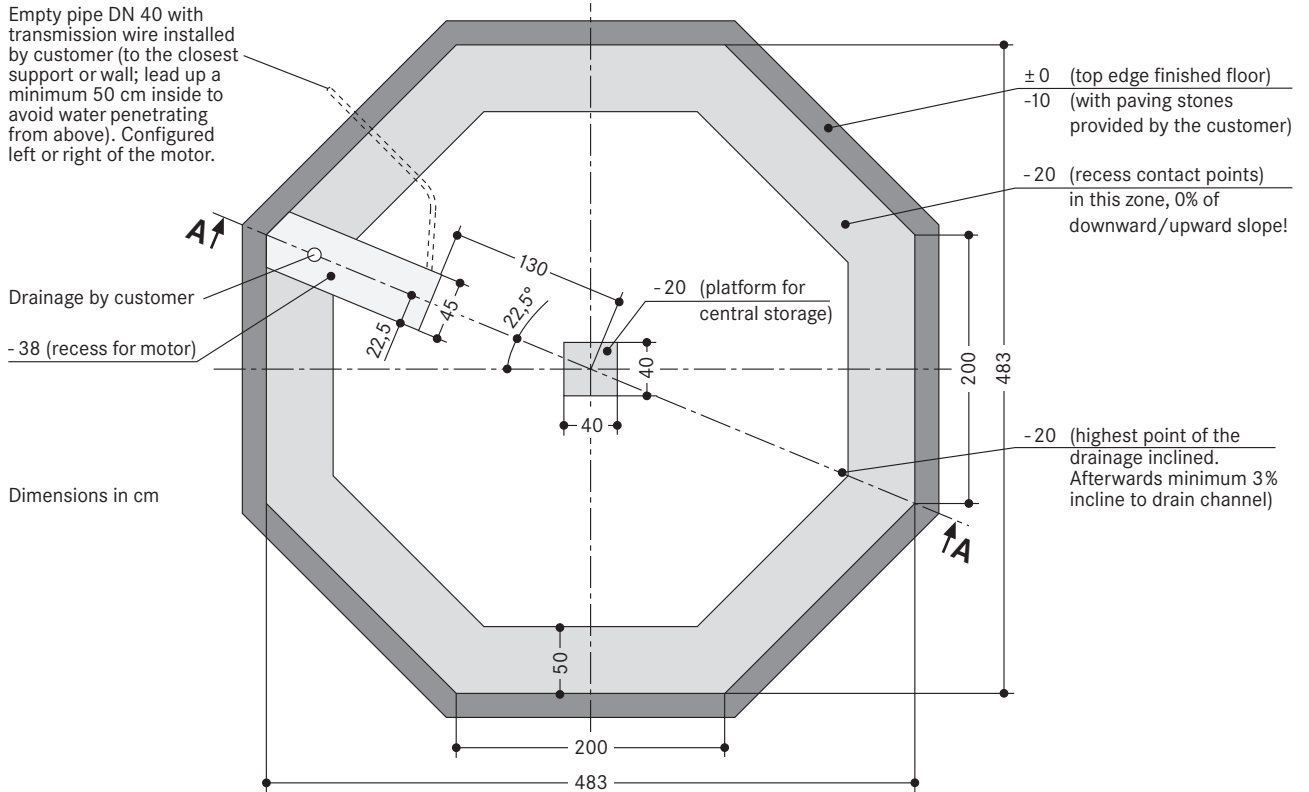
1. The pit and drainage facilities are to be provided by the customer.
2. The turntable can be installed up to a maximum inclination of 2% (in any direction).
3. Galvanized textured sheet on the turntable as standard (stainless steel textured sheet against a surcharge).
4. Optionally, the turntable can be supplied at extra cost with a 10 cm deep trough. The finish provided by the customer must not exceed max. 250 kg/m².
5. Operation is left turn/right turn (hold-to-run device) via operation device.
6. After installation the area between pit edge and the outer ring of the turntable must be filled with concrete provided by the customer.
7. Please observe that there must be a safety distance of 30 cm between the car's outer contour and the fixed parts of its surroundings on all sides (e.g. car length 500 cm = 560 cm turning radius).
8. Outdoor installation of this product is possible. If local climate conditions experience temperatures below 0 degrees Celsius, it is a requirement for the pit edges to be heated for outdoor installations (heating is provided by the customer).
9. The manufacturer reserves the right to construction or model modifications and/or alterations. Furthermore, the right to any subsequent part modification and/or variations and amendments in procedures and standards due to technical and engineering progresses in the art or due to environmental regulation changes, are also hereby reserved.

Turntable 505 with sheet metal coating on the turntable

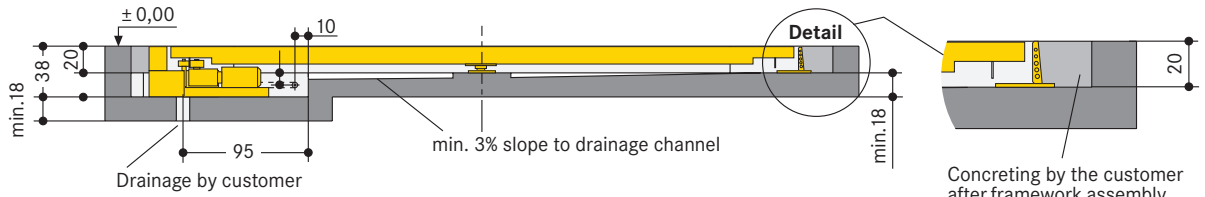
Galvanized textured sheet on the turntable as standard (stainless steel textured sheet against a surcharge).

Foundation dimensions

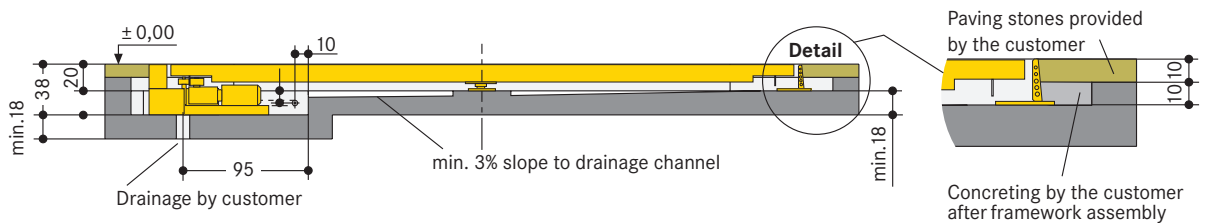
Empty pipe DN 40 with transmission wire installed by customer (to the closest support or wall; lead up a minimum 50 cm inside to avoid water penetrating from above). Configured left or right of the motor.



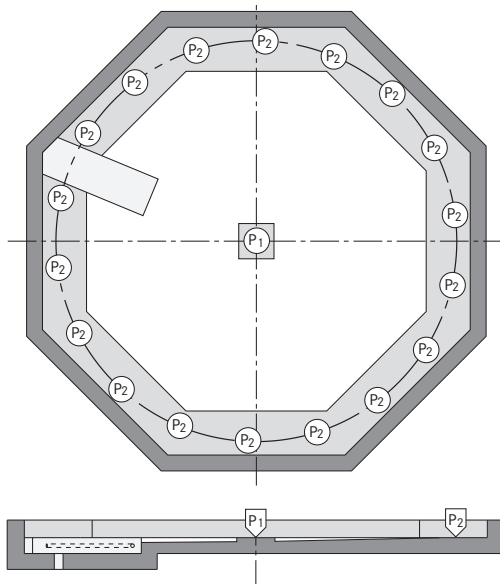
Section A-A (for on-site concrete area in connection to the turntable)



Section A-A (for on-site paving stones in connection to the turntable)



Statics and construction requirements (Turntable 505 with sheet metal coating on the turntable)



The framework construction is attached with adhesive anchors.

Borehole depth 10-12 cm.
 Base plate thickness min. 18 cm!

Concrete quality according to the static building requirements, however for the dowel fixing concrete quality of min. C20/25 is required.

P₁ = +21,7 kN *

P₂ = +11,0 kN (18x) *

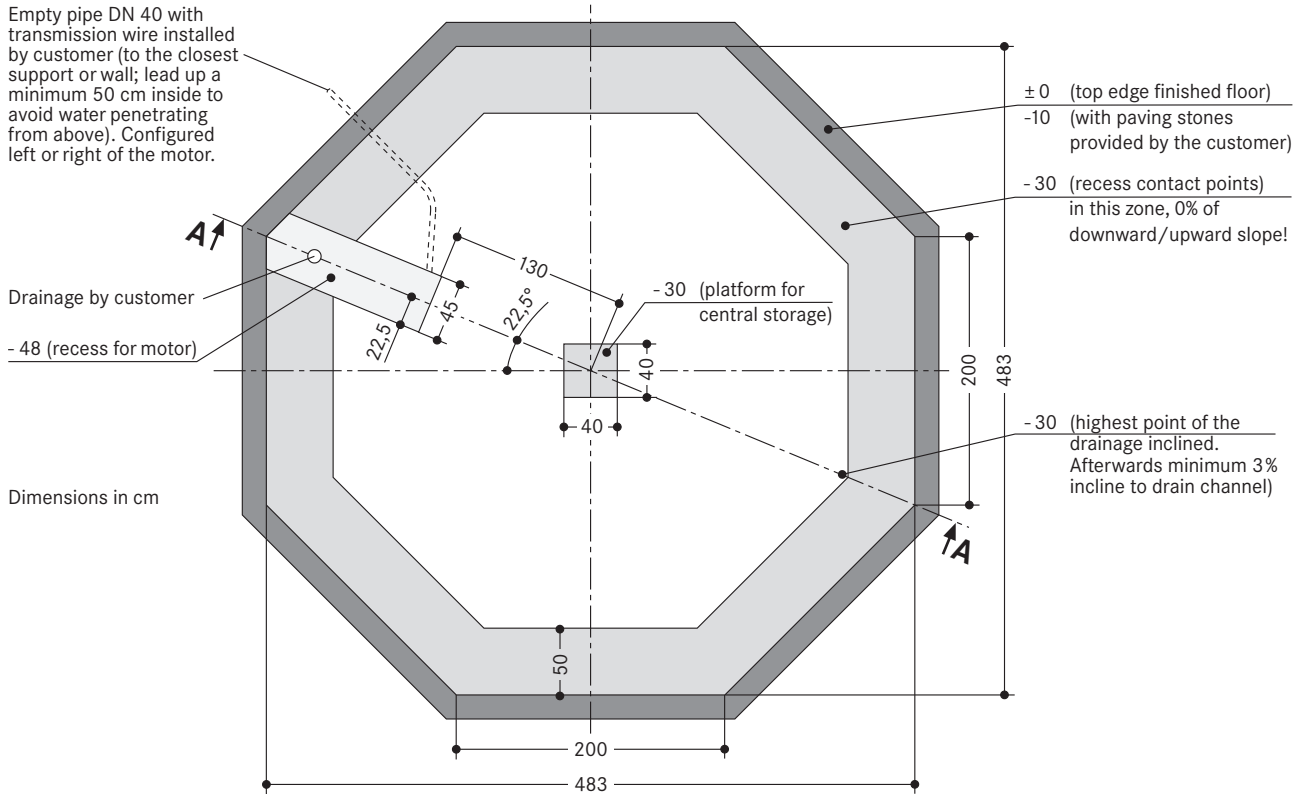
* all forces, including the max. permissible vehicle weight of 4000 kg

Turntable 505 with 10 cm deep trough for finish provided by the customer

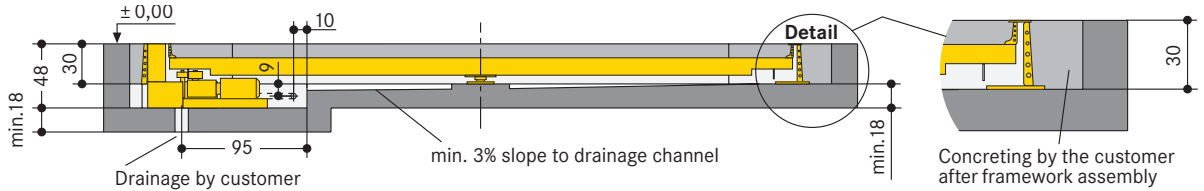
The finish provided by the customer must not exceed max. 250 kg/m².

Foundation dimensions

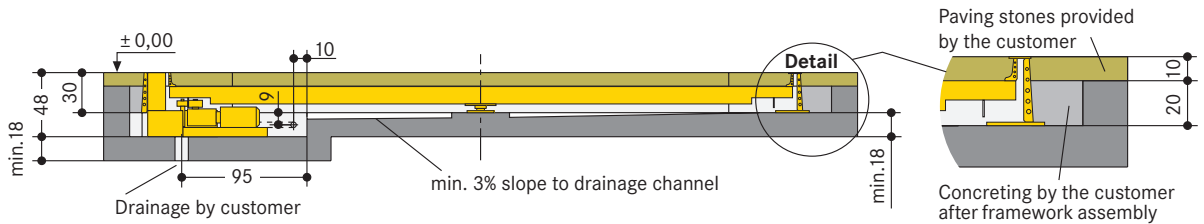
Empty pipe DN 40 with transmission wire installed by customer (to the closest support or wall; lead up a minimum 50 cm inside to avoid water penetrating from above). Configured left or right of the motor.



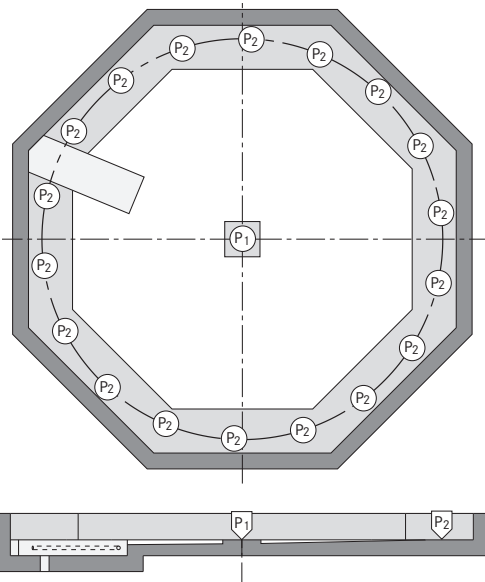
Section A-A (for on-site concrete area in connection to the turntable)



Section A-A (for on-site paving stones in connection to the turntable)



Statics and construction requirements (Turntable 505 with 10 cm deep trough for finish provided by the customer)



The framework construction is attached with adhesive anchors.

Borehole depth 10-12 cm.
Base plate thickness min. 18 cm!

Concrete quality according to the static building requirements, however for the dowel fixing concrete quality of min. C20/25 is required.

$$P_1 = +41,3 \text{ kN}^*$$

$$P_2 = +12,0 \text{ kN (18x)}^*$$

* all forces, including the max. permissible vehicle weight of 4000 kg and the finish provided by the customer at max. 250 kg/m²

Power consumption

0,55 kW (1 rpm), 230/400 V, 50 Hz

Electrical datas

Item	Performance	Quantity	Designation	Position	Frequency
1	by customer	1 unit	electric meter	in the feed cable	
2	by customer	1 unit	fuse or automatic circuit breaker 3 x 16A slow blow acc. to DIN VDE 0100 p. 430	in the feed cable	1 per turntable
3	by customer as locally required	as locally required	acc. to local power supply regulations 3 Ph + N + PE*	feed cable to main switch	1 per turntable
4	by customer	1 unit	marked main switch, lockable to prevent unauthorized switching on	in the feed cable above control box	1 per turntable
5	by customer	2 m	PVC control cable with marked strands and protective conductor 5 x 1,5 ²	from main switch to control box	1 per turntable
6	by customer	1 unit	Empty pipe DN 40 with transmission wire	from the circuit box into the cut-out for the motor	1 per turntable

Item 7 is included in WÖHR's scope of delivery unless otherwise specified in the offer/order.

* DIN VDE 0100 part 410 + 430 (not under permanent load) 3PH+N+PE (three-phase current)

The electrical components supplied by the manufacturer must be connected in accordance with the appropriate wiring diagram and local regulations. German VDE electrical requirements must be adhered to, in order to validate the TÜV tested circuit.

The electrical supply to the power pack(s) must be provided prior to or during installation to enable our fitters to complete their work satisfactorily and to check the correct functioning of the units.

Temperature

The installation is designed to operate between -20° and +40°C. Atmospheric Humidity: 50% at +40°C. If the local circumstances differ from the above please contact WÖHR. See notes on page 1.

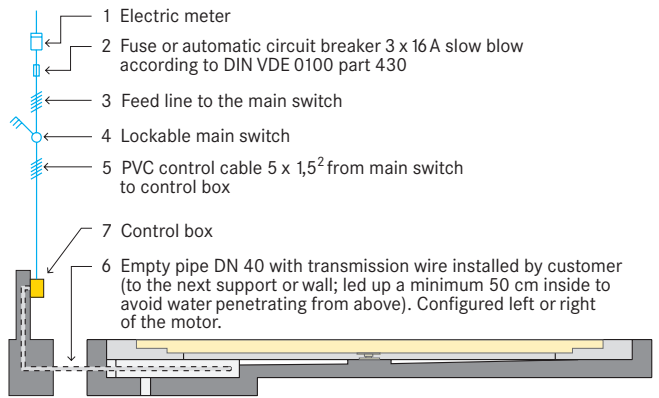
Construction requirement

Concrete quality according to the static building requirements, min. C20/25.

Noise protection

If DIN 4109 "Sound protection in structural engineering" must be met, requirements must be met on site: separate foundation of construction body.

Installation diagram



Conformity test

All our systems are checked according to EC machinery directive 2006/42/EC and EN 14010.

Maintenance

WÖHR and our foreign partners have an assembly and customer network. Annual maintenance is performed at conclusion of a maintenance contract.

Protection against corrosion

Protection against corrosion has to be carried out acc. to WÖHR Cleaning and Maintenance Instruction on a regular basis independent of maintenance work.

Cleaning the turntable of dirt, road salt and other contaminants (risk of corrosion) is required.

Drainage (mandatory when used outdoors)

The drainage of the pit must be provided by the customer with a surface gradient above the motor-recess level. If this is to be connected to the sewage system, it is advisable to provide oil and/or petrol separators.

Dimensions

All dimensions shown are minimum. Construction tolerances must be taken into consideration. All dimensions in cm.